

SPD 10/275 P5

Surge Protection Device

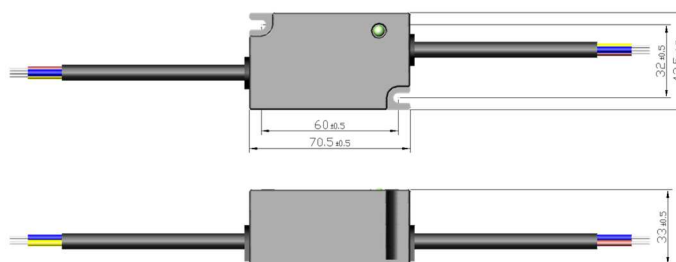
Surge Protection Device is to offer full protection solution against high surges for Outdoor lighting systems.

Benefits

- Maximize the lifetime of outdoor lighting system
- Lower maintenance costs
- Suitable for luminaries of protection class I/II
- Long lifetime & high working temperature
- IP65 protection against vibration and water
- High surge protection of up to 10 kV / 10 kA for all lighting applications
- Failure indication LED
- Fully comply with IEC 61643-11

Applications

- Street and Urban lighting
- Industrial lighting
- All outdoor application



Housing material: Color:

Approval Marks



In preparation, if not already printed on product label

Product Features

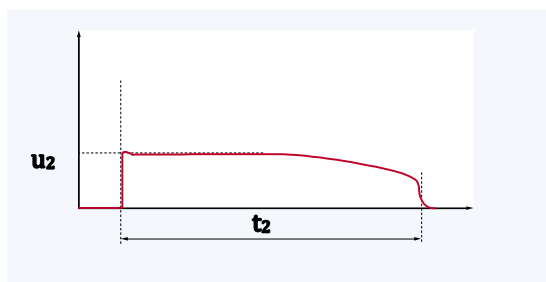
- Mains voltage to 275Vac
- High surge protection of up to 10 kV / 10 kA
- Suitable for luminaries of protection class I/II
- Fully comply with IEC 61643-11
- Fully LED Driver protection by Up <2kV
- IP65

Electrical Specifications

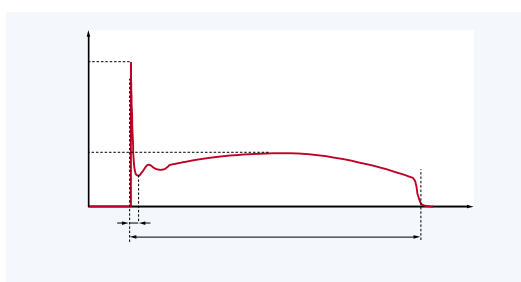
Item	Value	Unit	Remarks	
ELECTRICAL PARAMETERS	Max. continuous operating voltage (L-N)	275	Vac	
	Nominal frequency	50 / 60	Hz	
	Classification	Class III		Acc. IEC61643-11
	Power grids	TN		Including all TN varieties TN-C, TN-C-S, TN-S
	Open-circuit voltage	10	kV	
	Nominal current	4	A	Rated load current at 50/60 Hz
	Power losses	0.1%	W	Of total system power
	Protection class	I/II		Insulation Class acc. IEC60598
	Over current protection	15	A	Max.
	Temporary overvoltage	441.7	V	LV system fault: 255 V x 1.73 at tt = 120 m, TN LV system fault: 255 V x 1.32 at tt = 5 s, TN
		336.6		
	Prospective short circuit current	150	A	
	Protection mode	Different mode, Common mode		Please refer to Protection levels.
	Nominal discharge current	5	kA	L-N; @ UOC=10KV, internal resistance=2Ω L-GND; @ UOC=10KV, internal resistance=2Ω N-GND; @ UOC=10KV, internal resistance=2Ω
		5		
	Max. voltage protection level	1,5	kV	L-N; @ UOC=10KV, internal resistance=2Ω L-GND; @ UOC=10KV, internal resistance=2Ω N-GND; @ UOC=10KV, internal resistance=2Ω
		2		
Power consumption	0.1	%	Of total system power. Max. at UC = 275VAC;	
Max earth leakage current	50	μA	Max. rms, to GND	
Surge withstand capability	1	strike	Max. at 10kA Min. at 5kA Min. at 3kA	
	30			
	50			
ENVIRONMENT / DIMENSIONS	Ambient temperature range t_a	-40 ... +70	°C	
	Max. case temperature at t_c point	80	°C	
	Storage temperature range	-40...+85	°C	
	Relative humidity	5 ... 95	%	Not condensing
	Environmental rating	Outdoor		Built-in only
	IP rating	IP 65		
	End of life indication (by LED light)	Yes		Optical, light ON: SPD is functional. Light OFF: SPD has reached end-of-life.
	Dimensions	70.5 x 42.5 x 33	mm	
Weight	190	g		

Protection levels of U_p

IC 8/20 μs	Differential mode U2	Common mode U1/U2
7.5kA	≤1500 V	≤2000 V / 1500 V

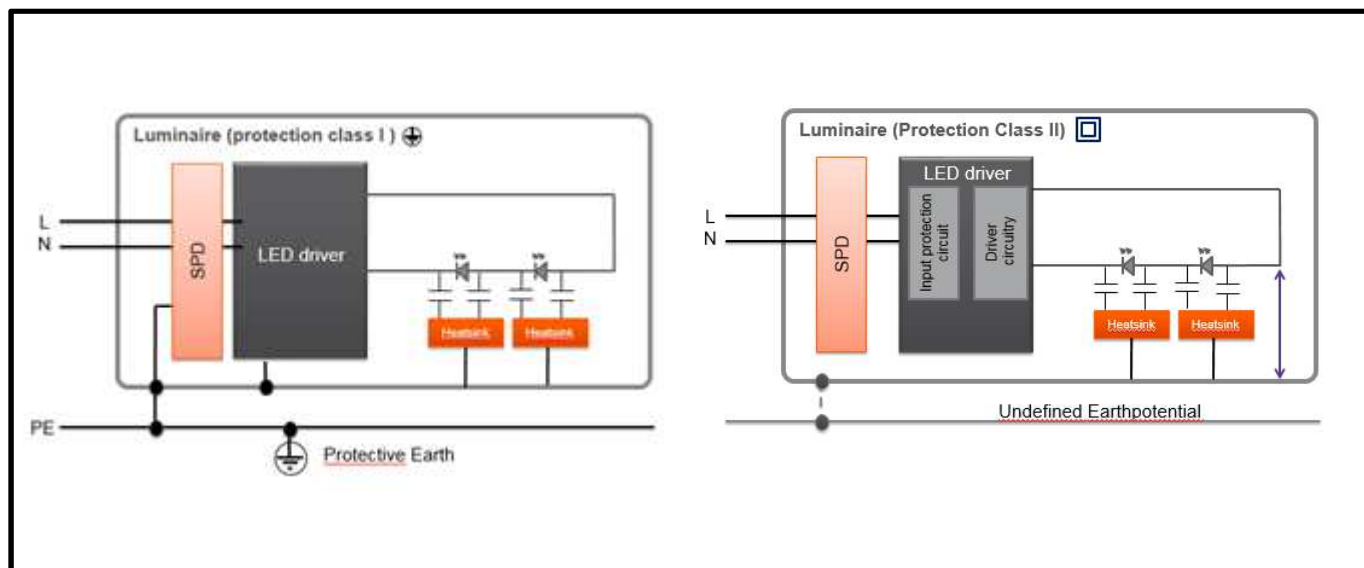


Differential mode L-N



Common mode (L/N - ground, L+N - ground)

Wiring Diagram



	Item	Value	Unit	Remarks
INPUT	Cable cross section	3*1	mm ²	Solid and stranded
	Wire preparation length	8...10	mm	
	Type of wire	Cable,		
	Lead length	300	mm	
OUTPUT	Cable cross section	3*1	mm ²	Solid and stranded
	Wire preparation length	8...10	mm	
	Type of wire	Cable,		
	Lead length	300	mm	

Standards

IEC 61643-11

IEC 60598

Product name	EAN10	EAN40	Pieces / box
SPD 10/275 P5	4052899549821	4052899549838	50

Manufacturer's address:

OSRAM GmbH

Steinerne Furt 62
D-86167 Augsburg
Germany

www.osram.com

Technical support:

Customer Service Center Germany
+49 (0)89-6213-60 00